

Building Connections That Last™



Sharpe® Series 50C7

3000# Seal Weld Ball Valve Datasheet



3000# Seal Weld Ball Valve Sharpe® Series 50C7



Design Features

- 3000 CWP
- Carbon Steel ASTM A216 WCB or 316 Stainless Steel ASTM A351 CF8M
- Threaded Ends with Delrin Seats and PTFE Seals or Socket Weld Ends with PEEK Seats and Graphite Seals
- Live Loaded, Blow-Out Proof Stem
- Anti-Static Device
- Mounting Pad
- Lockable Lever Handle

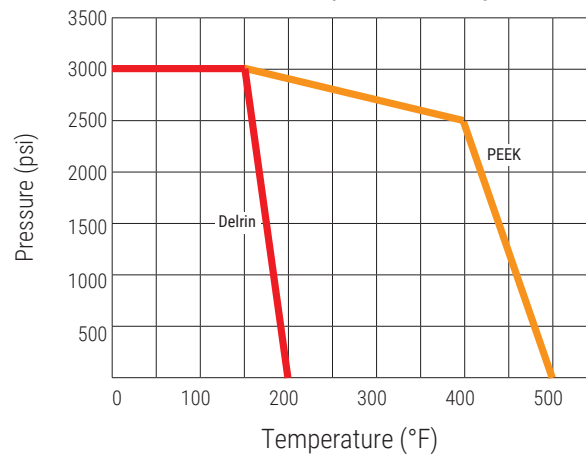
Applicable Standards

- Mounting Dimensions (½" – 2"): ISO 5211
- Socket Weld and Threaded Ends: ASME B16.11
- Shell and Seat Pressure Test: ASME B16.34
- NACE: MR-0175 2002

Technical Information

Size	C _v	Weight (Lbs.)
¼	7	0.88
⅜	8	0.84
½	10	1.06
¾	35	2.14
1	68	3.66
1¼	110	5.38
1½	155	8.86
2	155	10.14
3	750	37

Pressure - Temperature Ratings

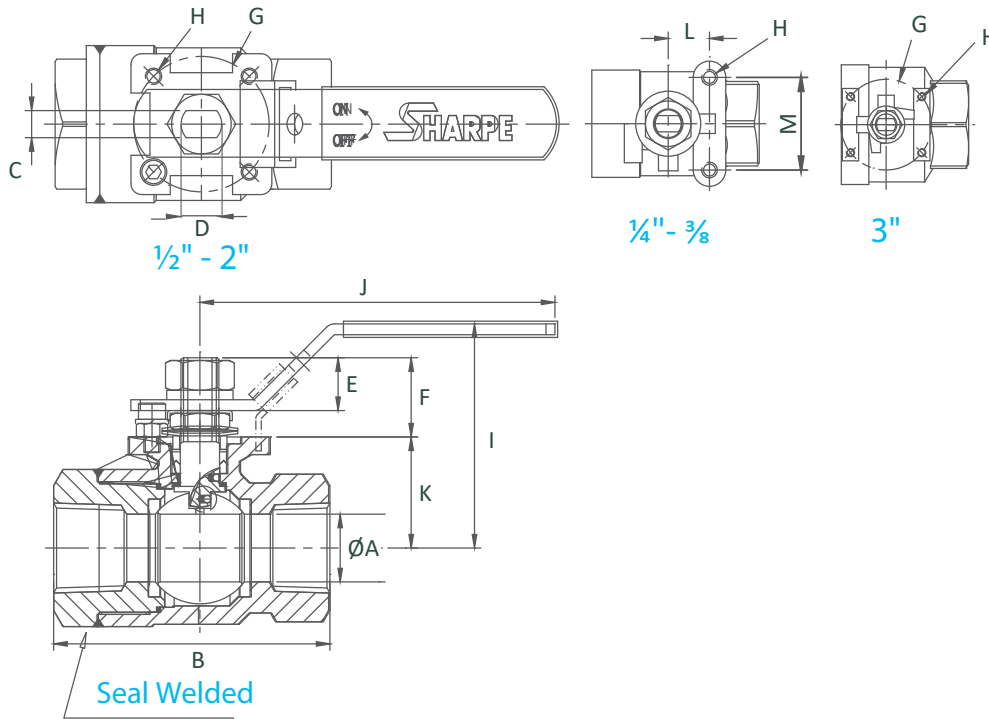


asc-es.com

Building Connections That Last™



3000# Seal Weld Ball Valve Sharpe® Series 50C7

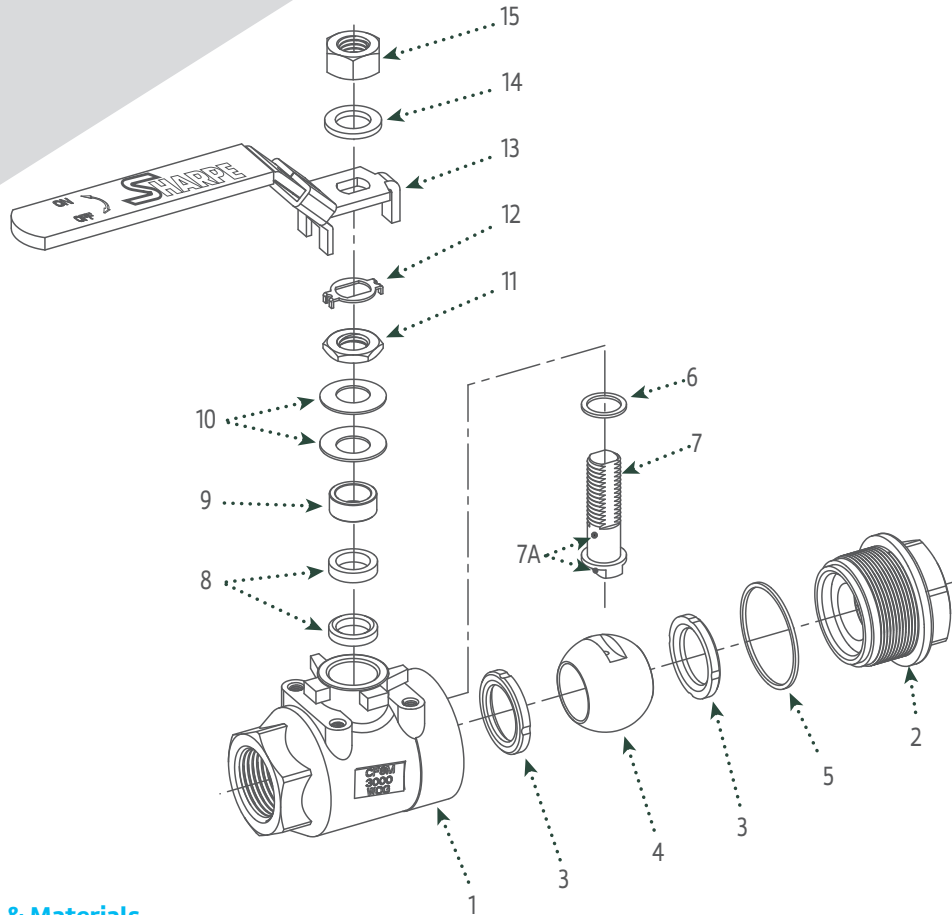


Dimensions (Inches)

M	ØA	B	C	D	E	F	G	H	I	J	K	L	M
¼	0.37	2.52	0.20	0.31	0.27	0.56	-	M5-P0.8	2.22	4.37	0.94	0.5	1.12
⅜	0.37	2.52	0.20	0.31	0.27	0.56	-	M5-P0.8	2.22	4.37	0.94	0.5	1.12
½	0.49	2.83	0.20	0.31	0.27	0.52	F03 (1.42)	M5-P0.8	2.20	5.31	0.96	-	-
¾	0.79	3.5	0.33	0.47	0.50	0.78	F04 (1.65)	M5-P0.8	2.62	6.30	1.32	-	-
1	0.98	4.02	0.39	0.55	0.75	1.16	F05 (1.97)	M6-P1	3.33	6.89	1.61	-	-
1-¼	1.26	4.57	0.39	0.55	0.79	1.20	F05 (1.97)	M6-P1	3.52	6.89	1.79	-	-
1-½	1.50	4.88	0.47	0.75	1.23	1.63	F07 (2.76)	M8-P1.25	4.65	9.57	2.39	-	-
2	1.50	5.51	0.47	0.75	1.23	1.63	F07 (2.76)	M8-P1.25	4.65	9.57	2.39	-	-
3	3.15	8.07	0.63	0.98	1.35	2.03	F10 (4.02)	M10-P1.5	6.11	14.57	3.31	-	-



3000# Seal Weld Ball Valve Sharpe® Series 50C7



Parts & Materials

No.	Part Name	Material	Qty.
1	Body	Carbon Steel ASTM A216 WCB or 316 Stainless Steel ASTM A351 CF8M	1
2	End Piece	Carbon Steel ASTM A216 WCB or 316 Stainless Steel ASTM A351 CF8M	1
3	Seat	Delrin (TE) / PEEK (SW)	2
4	Ball	316 Stainless Steel ASTM A351 CF8M	1
5	Body Seal	PTFE (TE)/ Graphite (SW)	1
6	Thrust Bearing	PTFE (TE)/ PEEK (SW)	1
7	Stem	17-4PH	1
7A	Anti-Static Device	316 Stainless Steel ASTM A276	2
8	Stem Packing	PTFE / Graphite	1
9	Gland Packing	300 Series Stainless Steel	1
10	Belleville Washer	300 Series Stainless Steel	2
11	Packing Nut	300 Series Stainless Steel	1
12	Lock Tab	300 Series Stainless Steel	1
13	Handle	300 Series Stainless Steel	1
14	Lock Washer	300 Series Stainless Steel	1
15	Handle Nut	300 Series Stainless Steel	1
16	Handle Sleeve	PVC	1

About ASC Engineered Solutions

ASC Engineered Solutions connects high-quality products with advanced technology, service, and support. With nearly 2,000 employees, the company's extensive portfolio of precision-engineered piping support, valves and connections provides products to professionals across industries, such as commercial and residential construction, industrial, fire protection, and oil and gas. Its portfolio of leading brands includes ABZ Valve®, AFCON®, Anvil®, Anvil EPS, Basic-PSA, Beck®, Catawissa, Cooplet®, FlexHead®, FPPI®, Gruvlok®, J.B. Smith, Merit®, NAP®, Quadrant®, SCI®, Sharpe®, SPF®, SprinkFLEX®, Trenton Pipe, VEP, and WARDFlex®. With headquarters in Oak Brook, IL, ASC also has ISO 9001:2015 certified production facilities in PA, TN, IL, TX, AL, KS, and RI.



asc-es.com

Building Connections That Last™

FC-DS-Series-50C7-v03 20250606

